

8454

Installation instructions



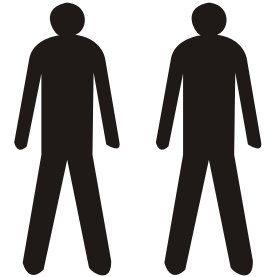
8454

Installation instructions

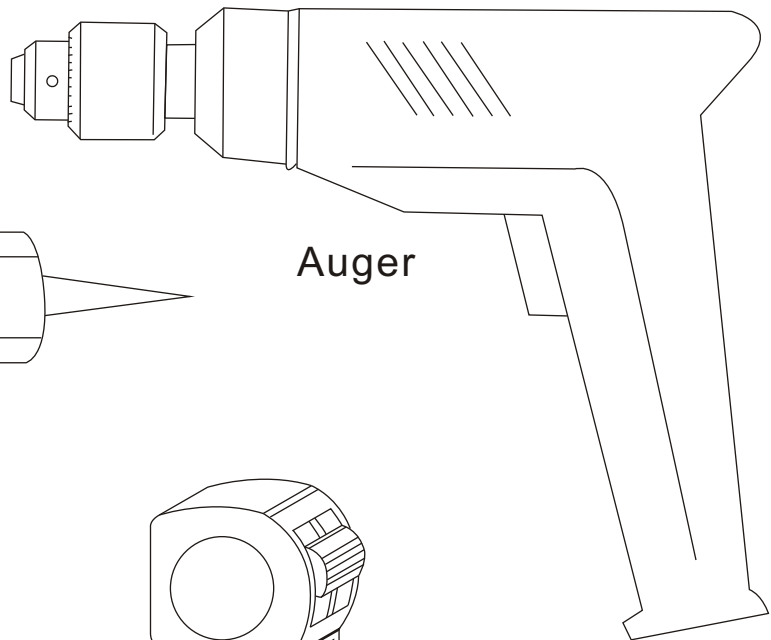
TOOLS REQUIRED(NOT SUPPLIED)

when you're ready to start,make sure that you have the following tools to hand,plenty of space and a clean dry area for assembly.

Two people are needed. Please note:although these instructions are comprehensive,We always recommend that a technically competent installer should undertake installation.

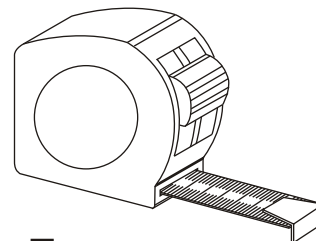
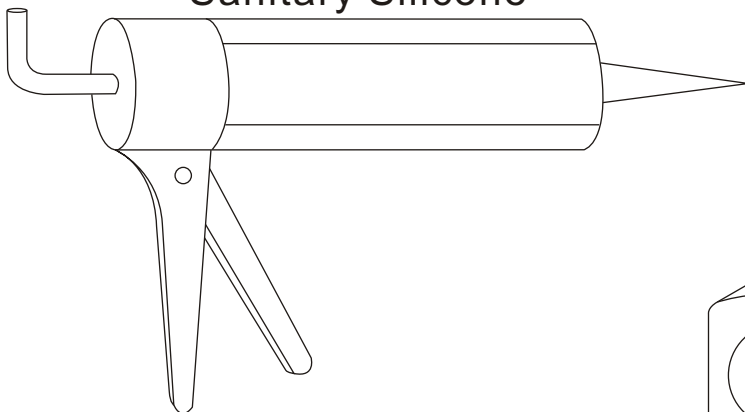


Drill beat head
4mm

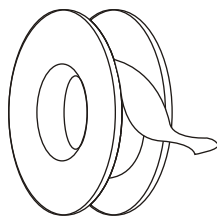


Auger

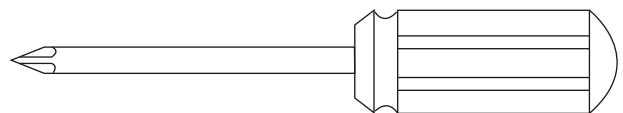
Sanitary Silicone



Tape measure



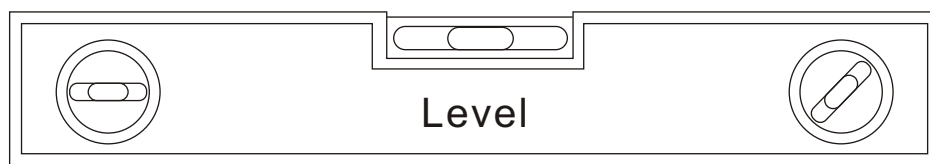
PTFE tape



Magnetic crosshead screwdriver



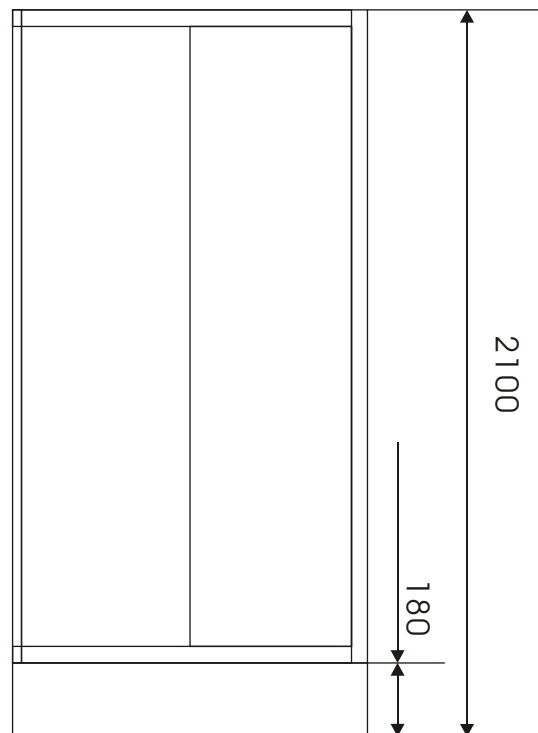
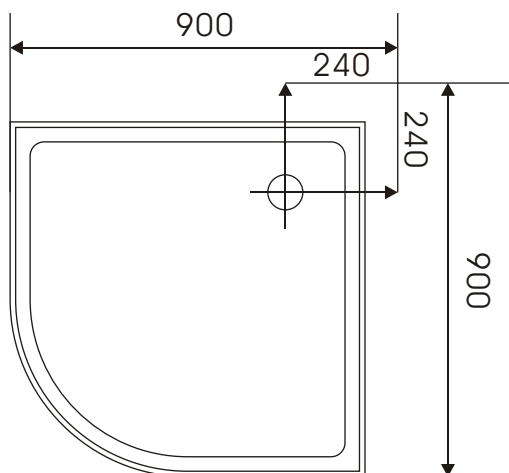
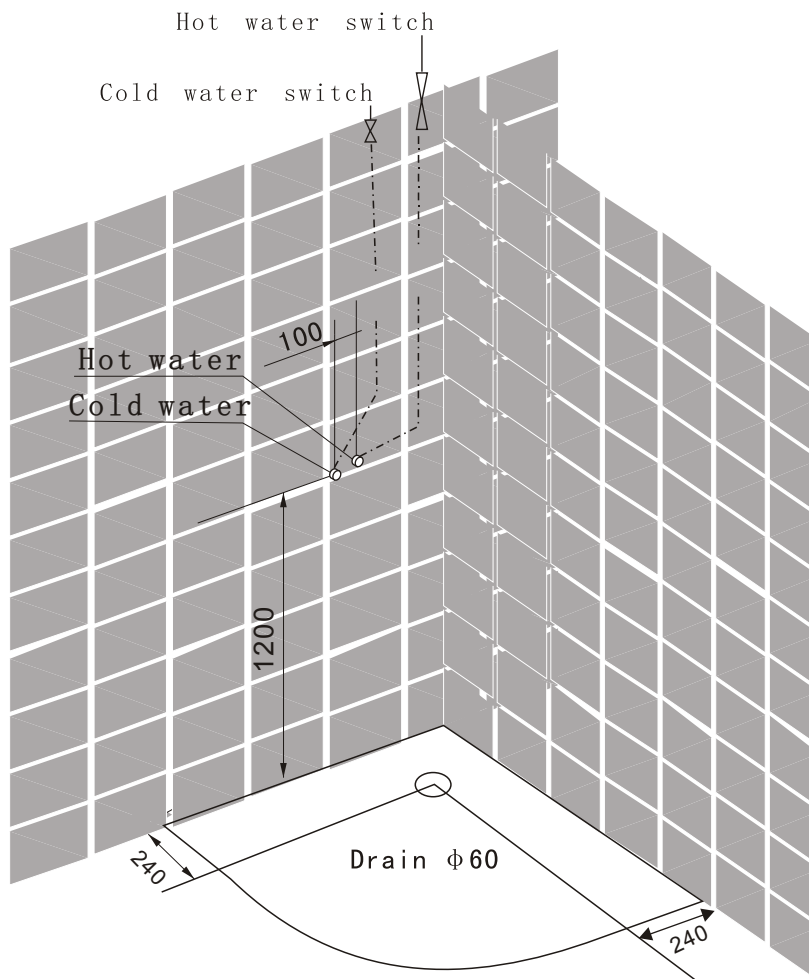
Pencil



Level

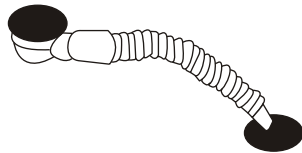
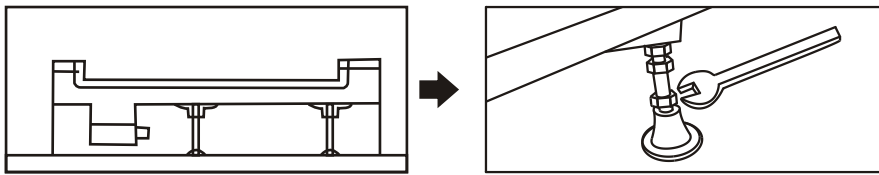
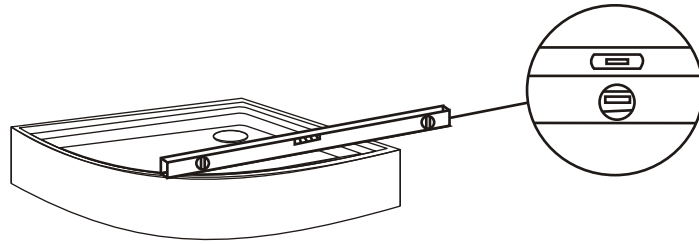
8454

Installation instructions

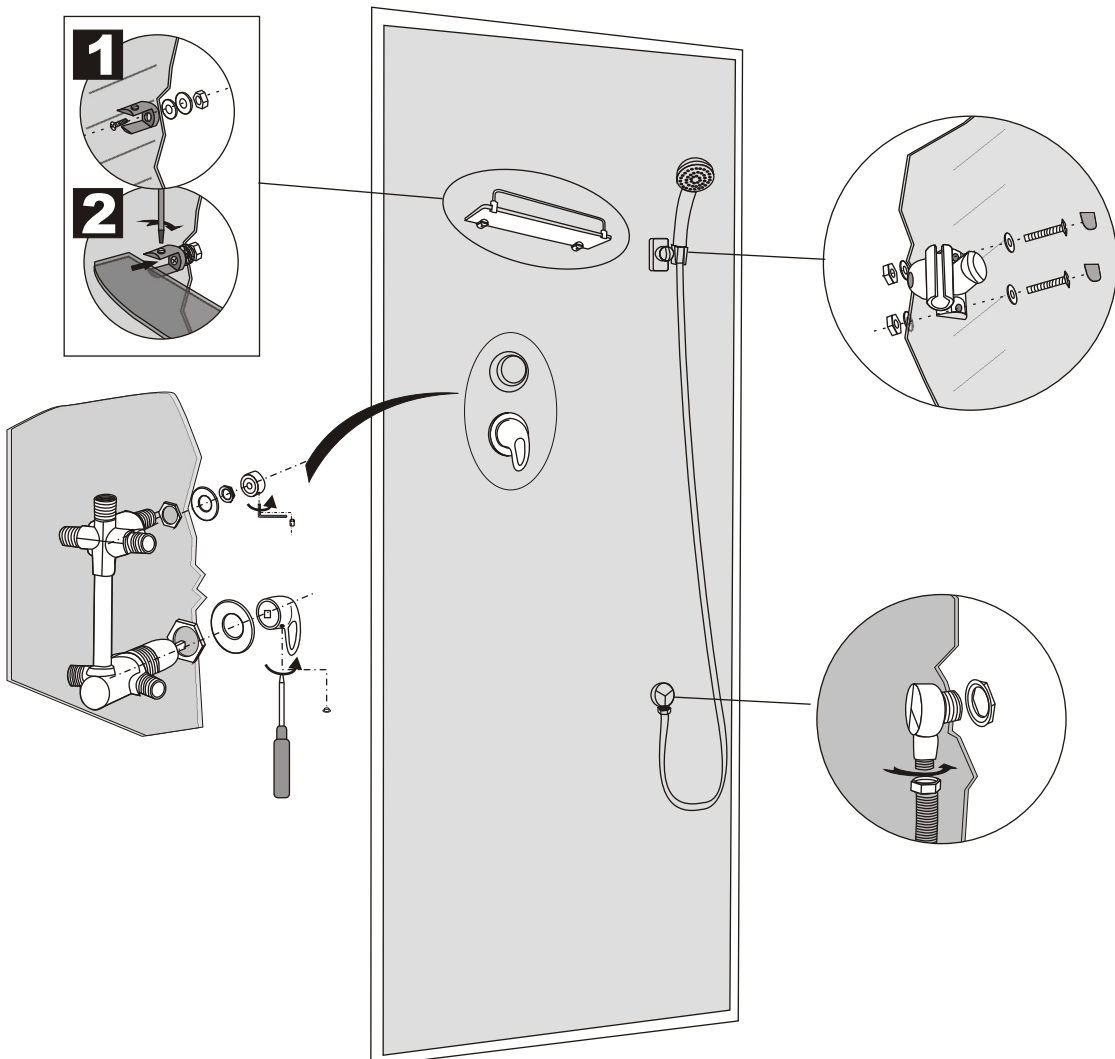


8454

Installation instructions

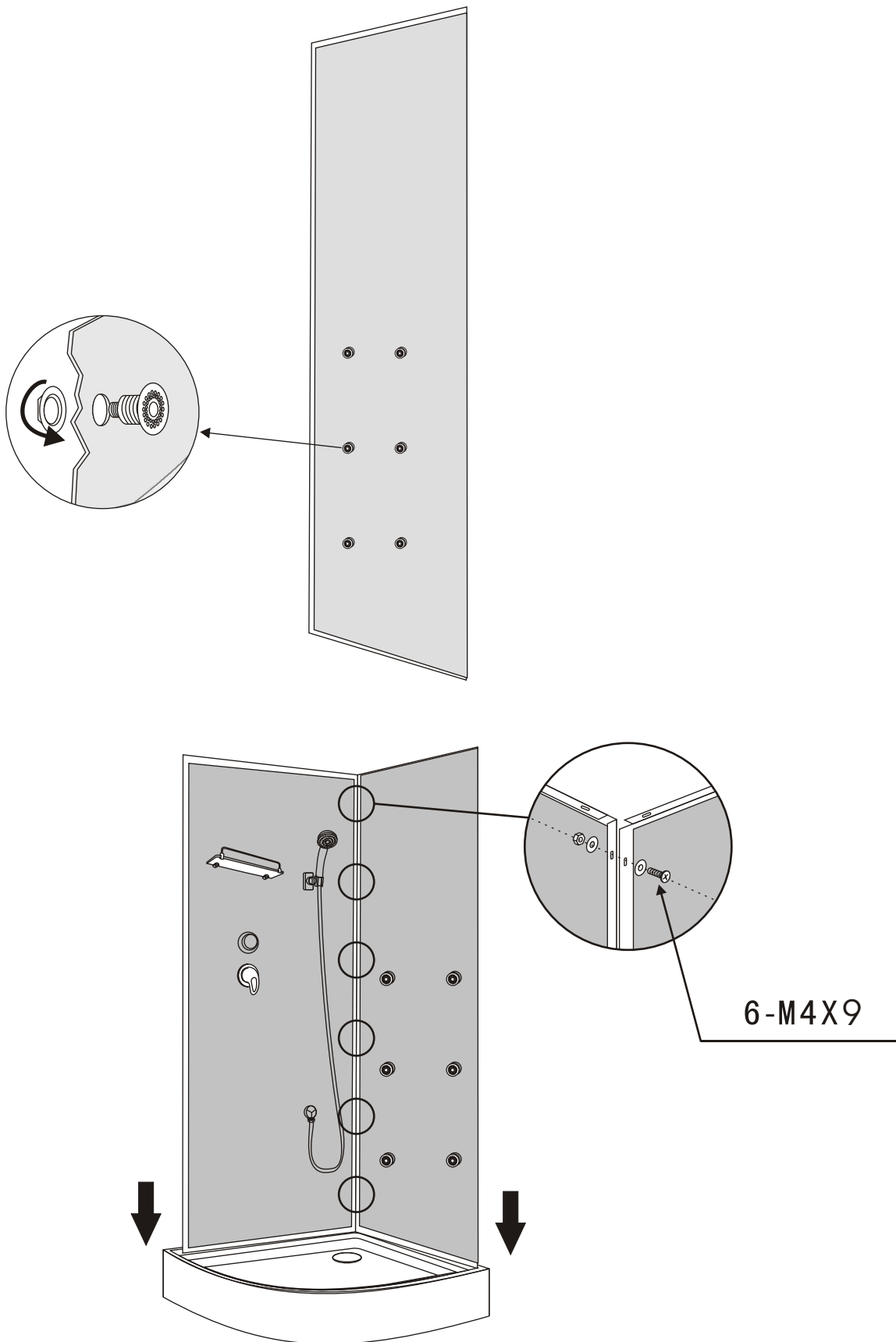


Lift the rear part of bottom basin and then insert one end of the pipe into the drainage hole



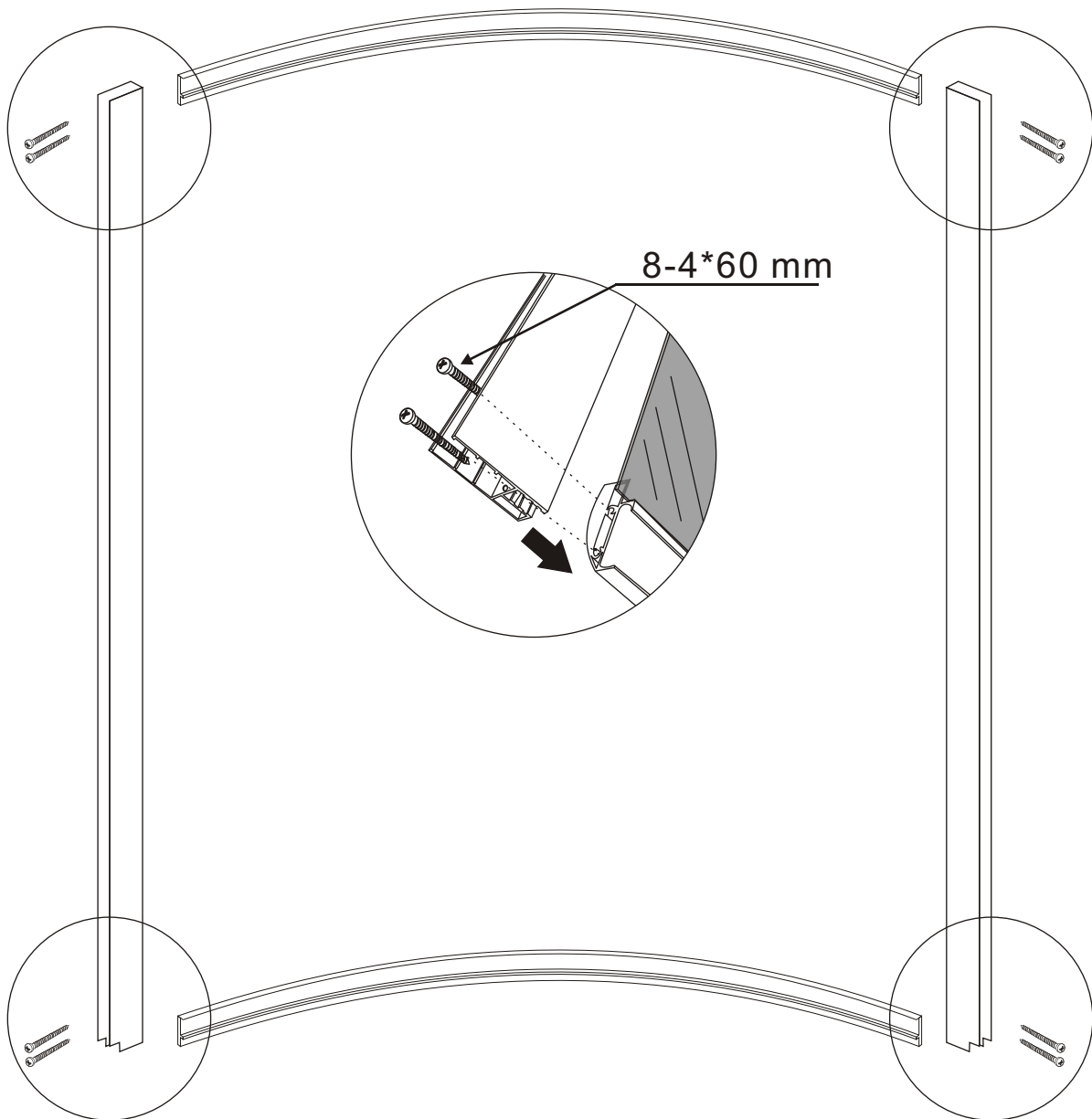
8454

Installation instructions



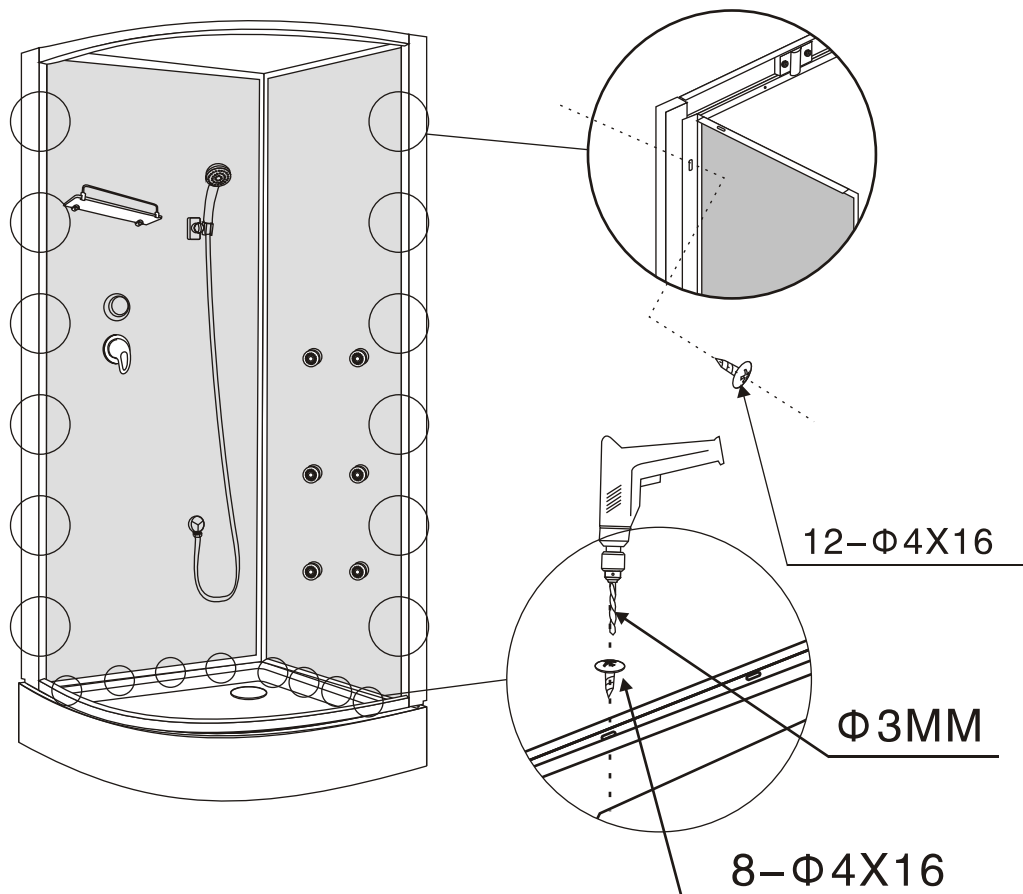
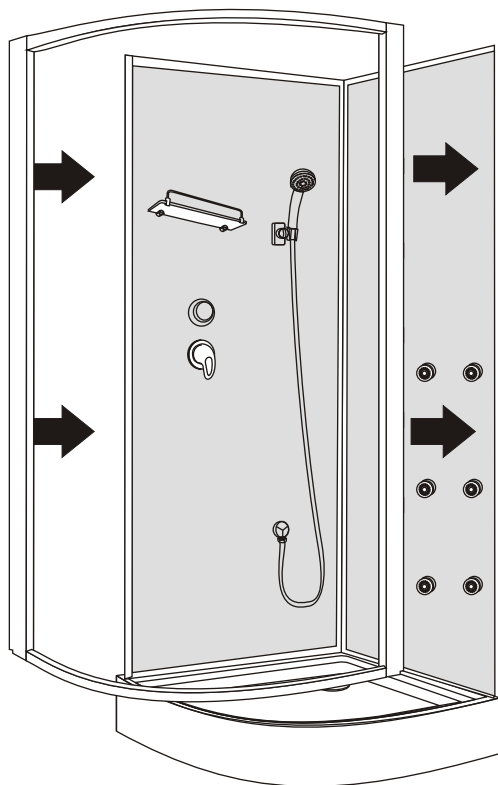
8454

Installation instructions



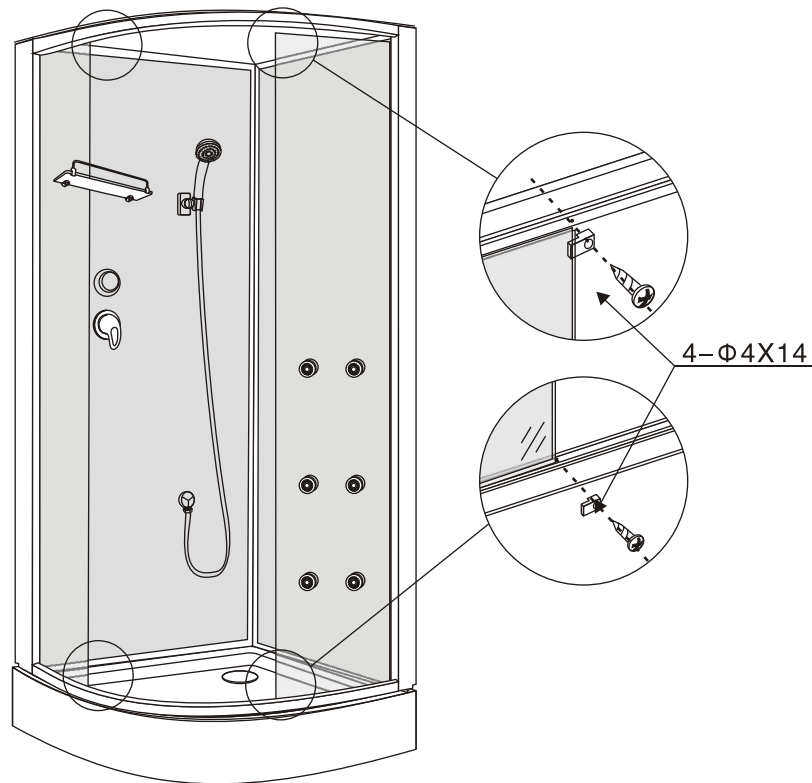
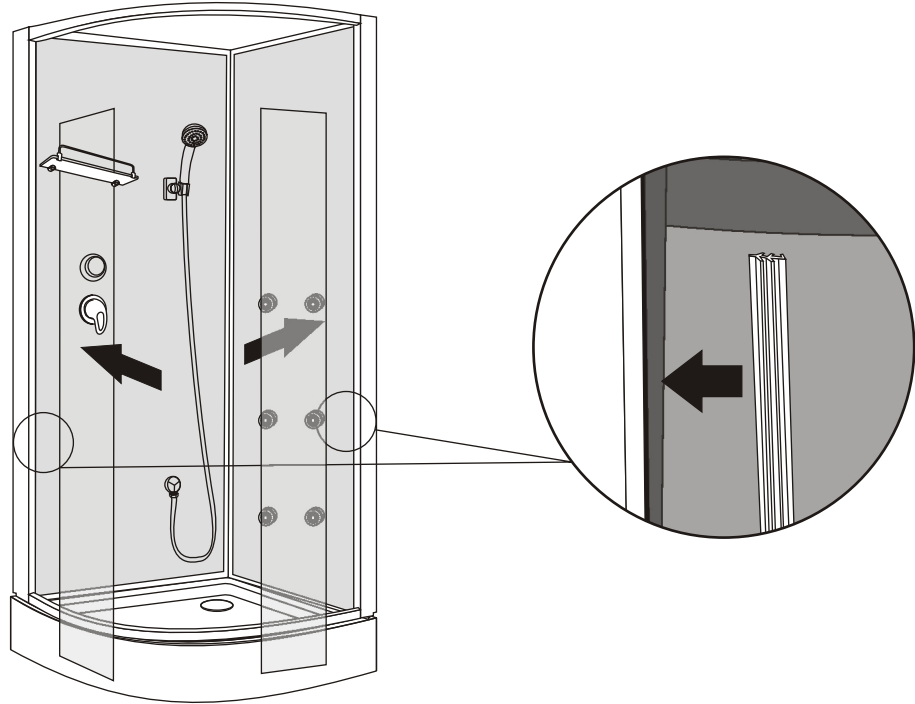
8454

Installation instructions



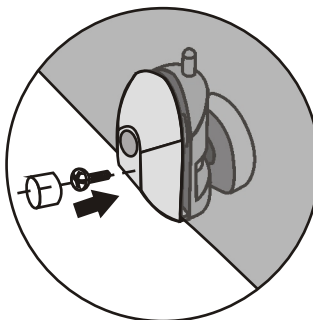
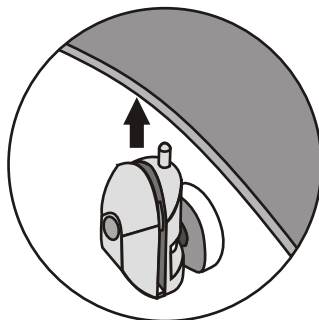
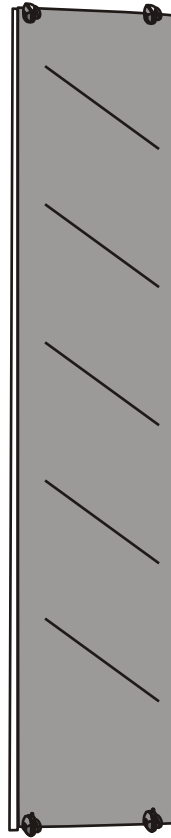
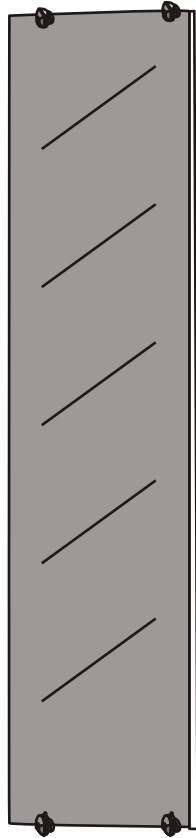
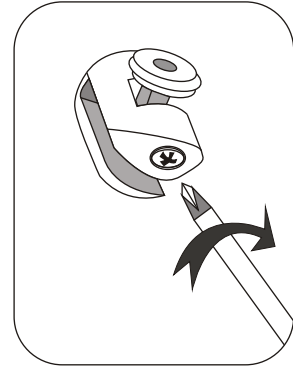
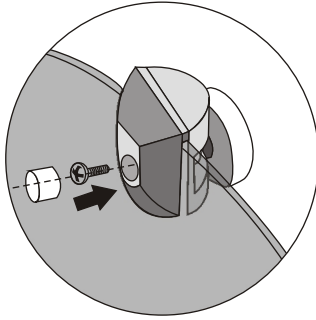
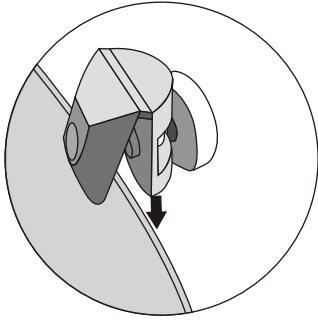
8454

Installation instructions



8454

Installation instructions



8454

Installation instructions

