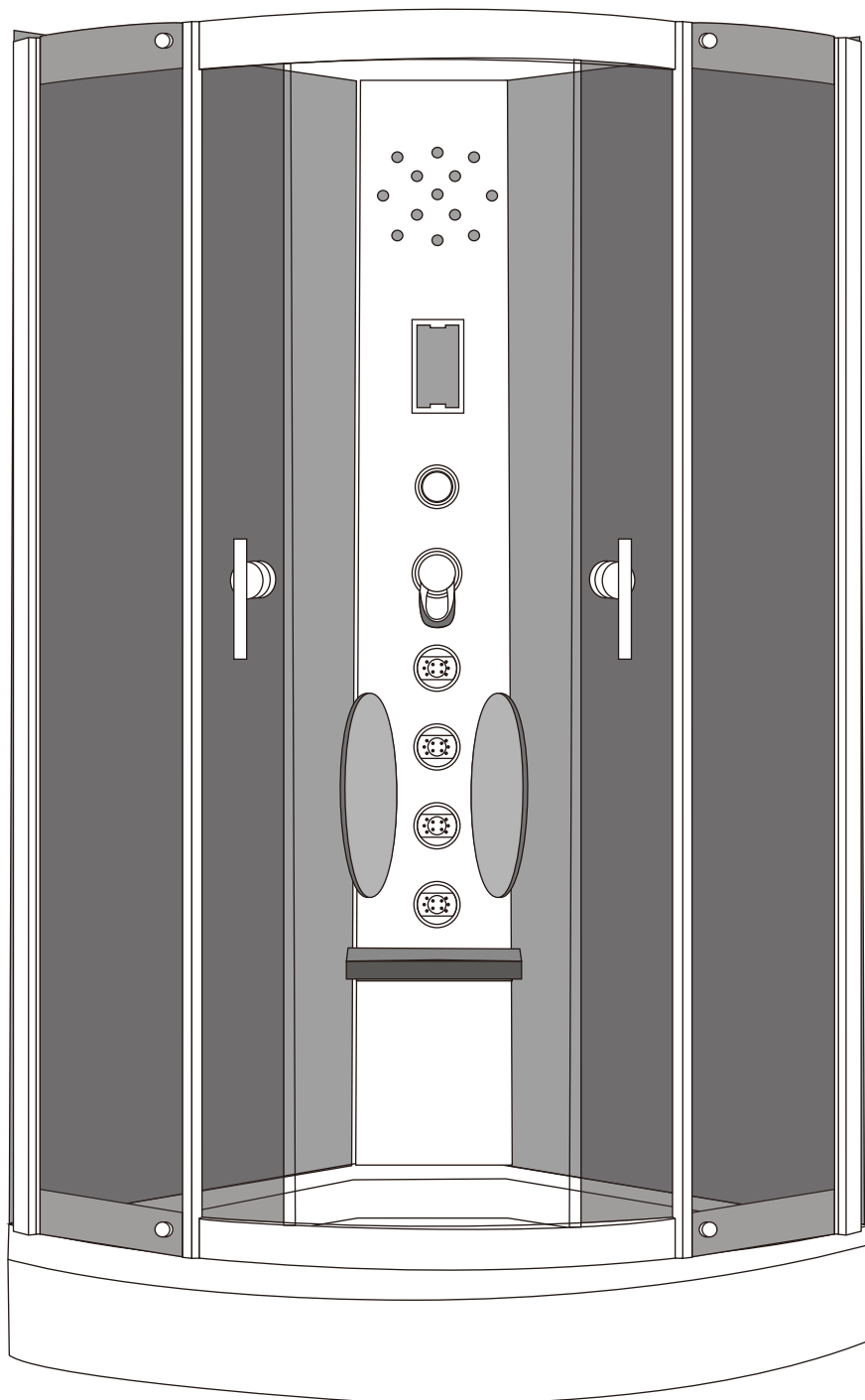


8418/8419

Installation instructions

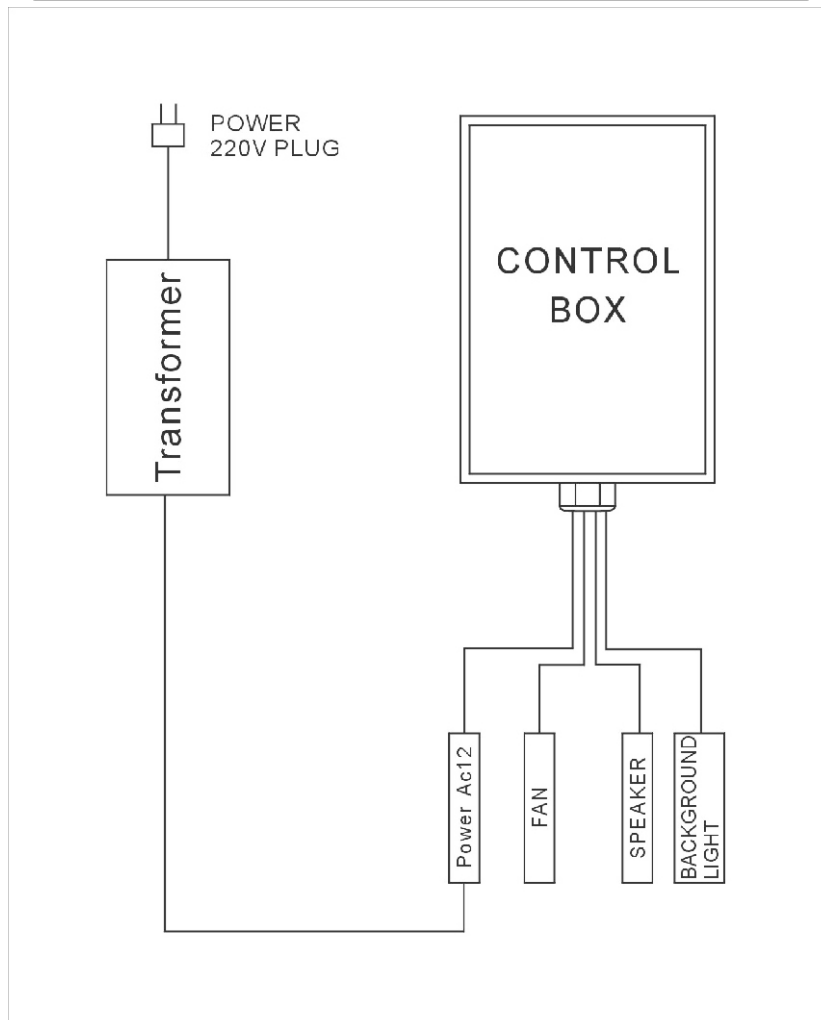
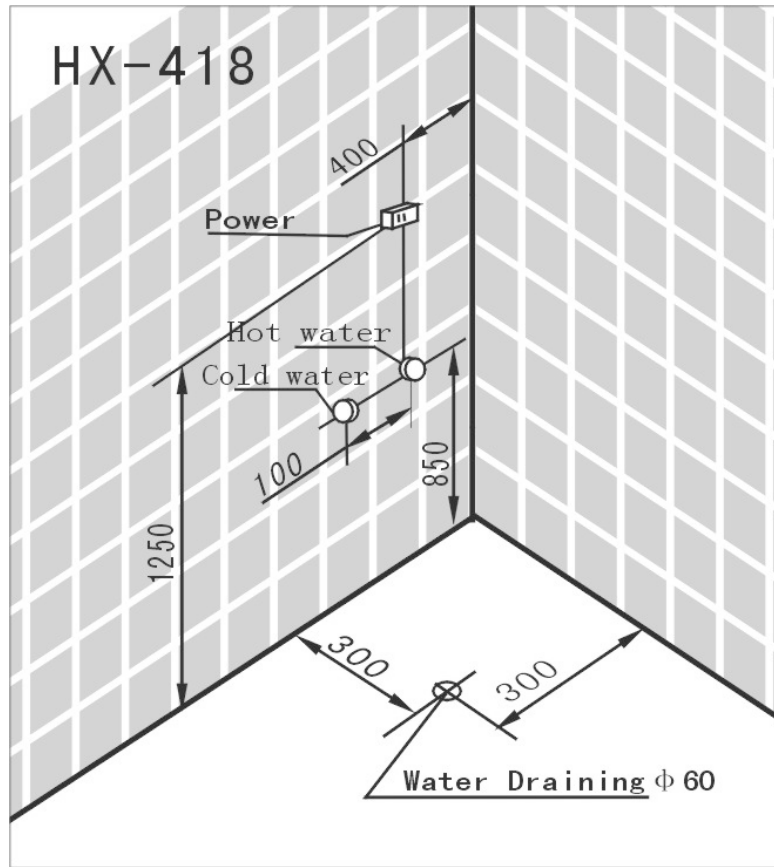


SIZE : 90*90*220 CM

SIZE : 100*100*220 CM

8418/8419

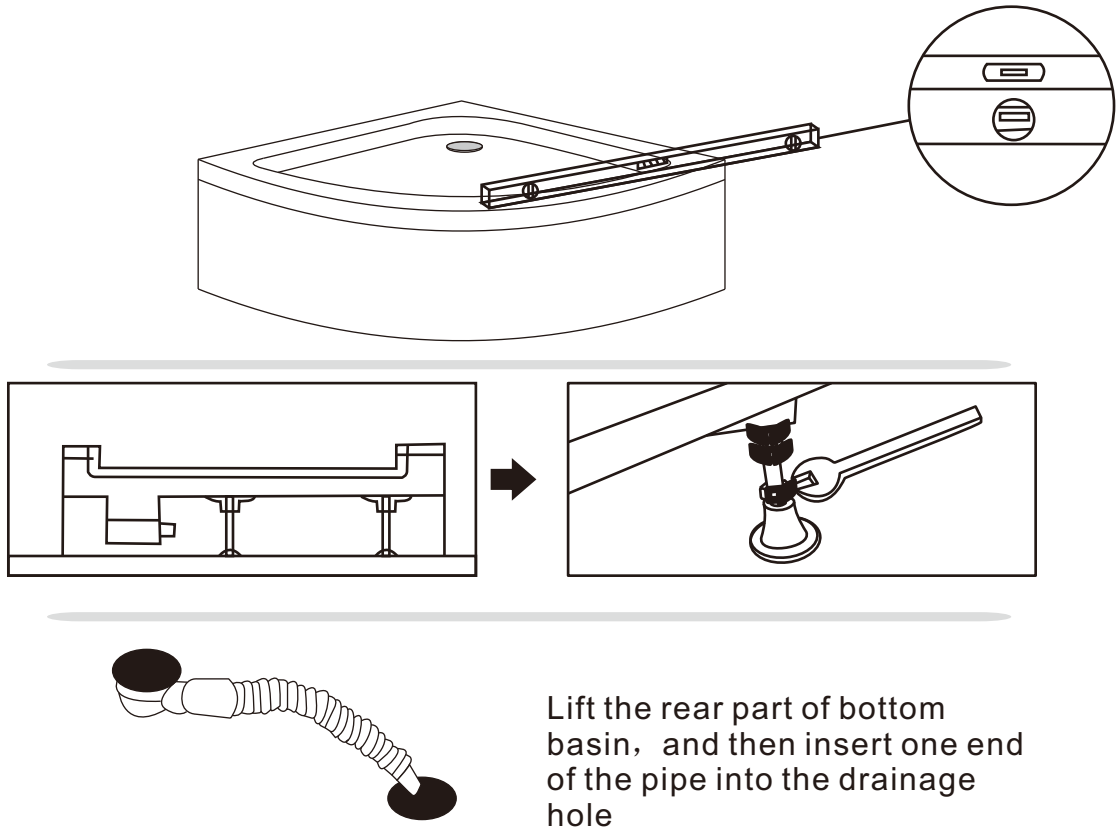
Installation instructions



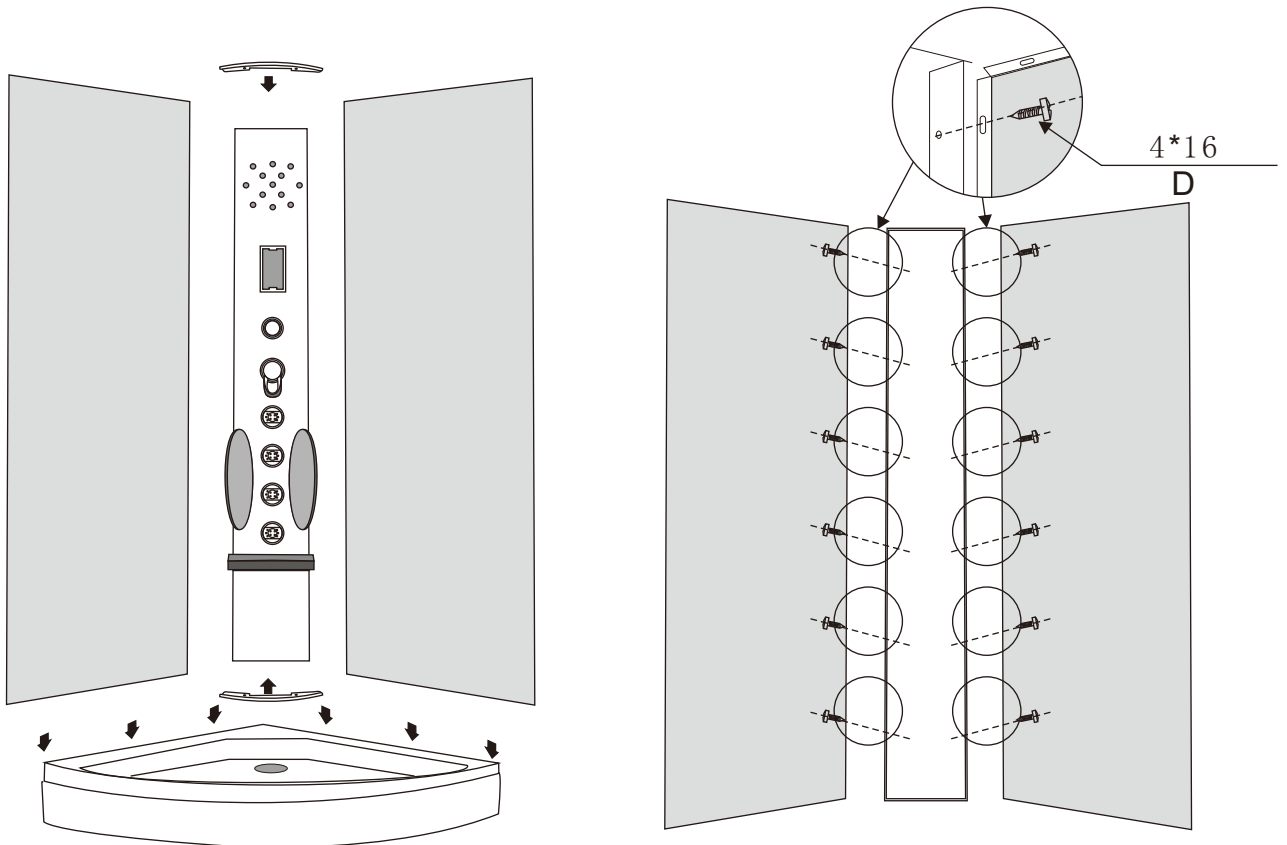
8418/8419

Installation instructions

1.



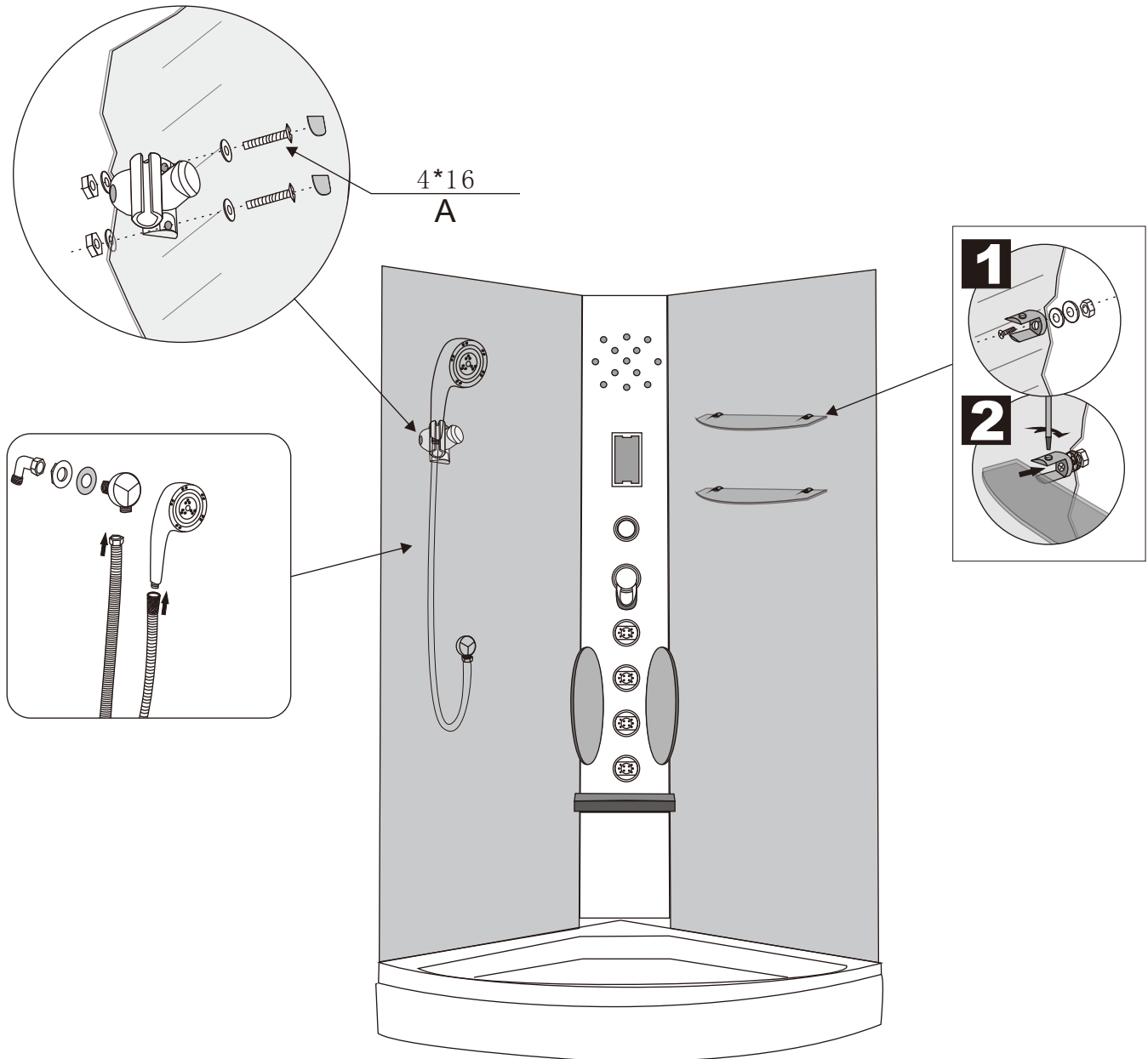
2.



8418/8419

Installation instructions

3.

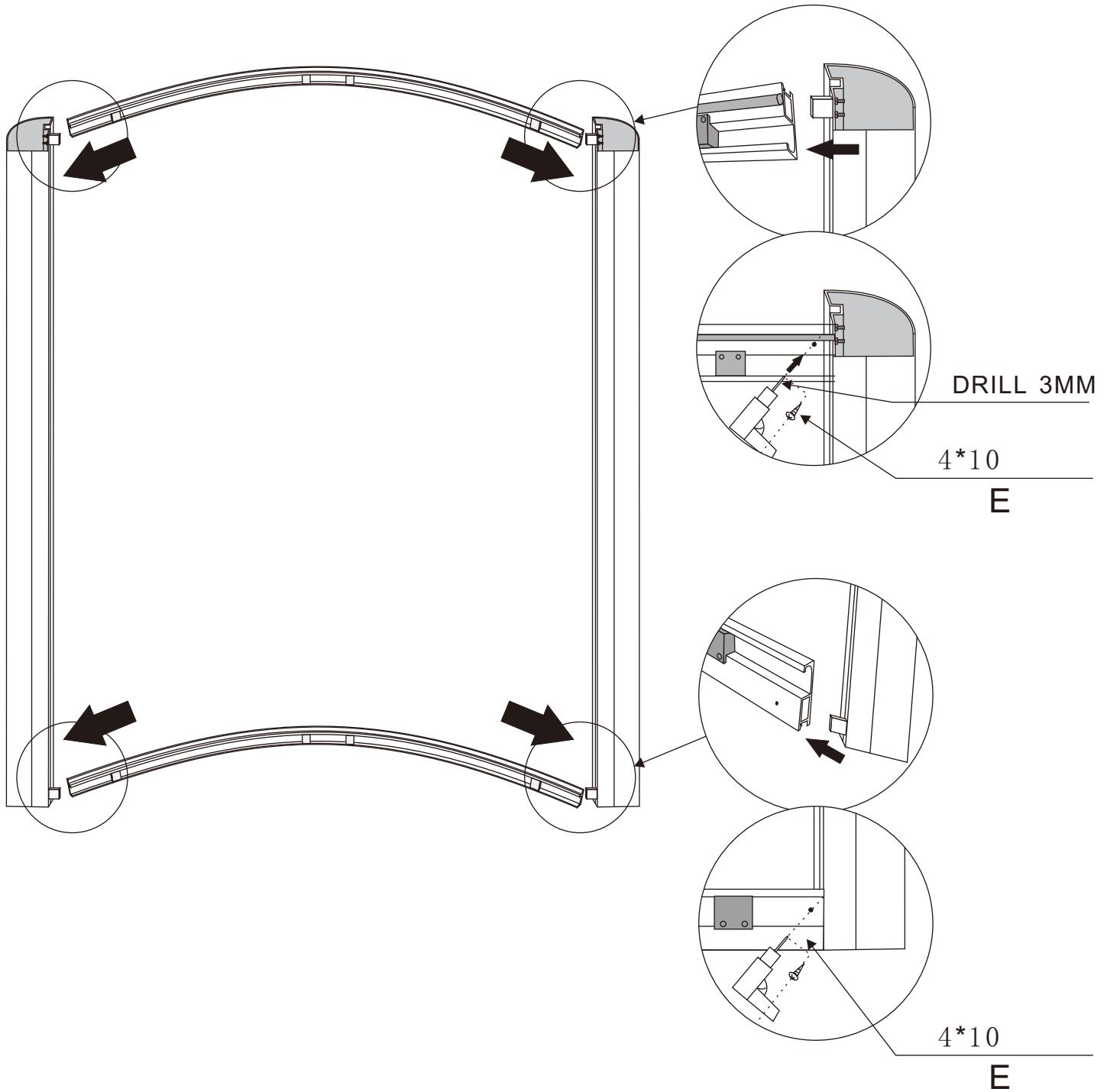


8418/8419

Installation instructions

4.

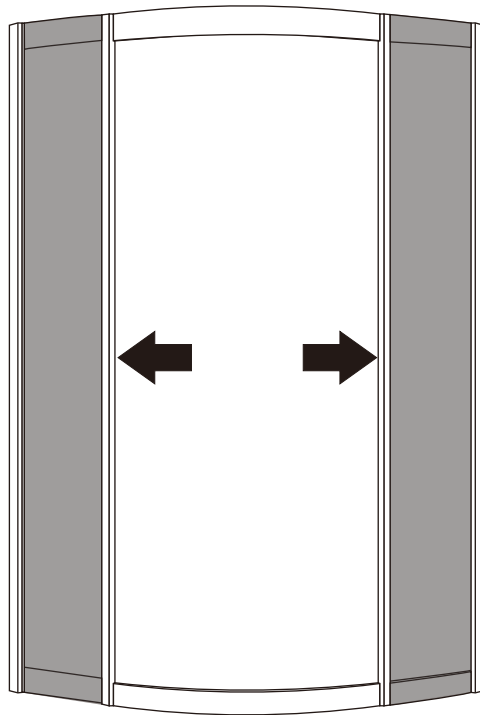
(1)



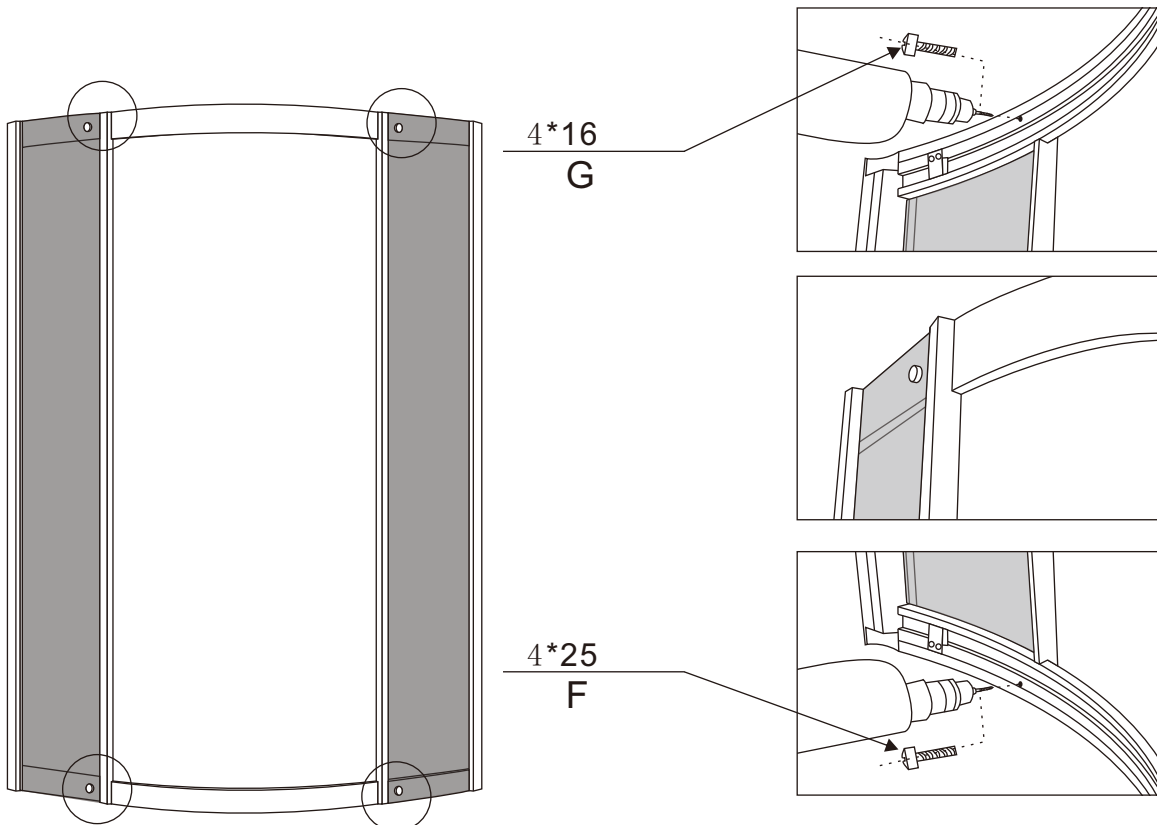
8418/8419

Installation instructions

(2)



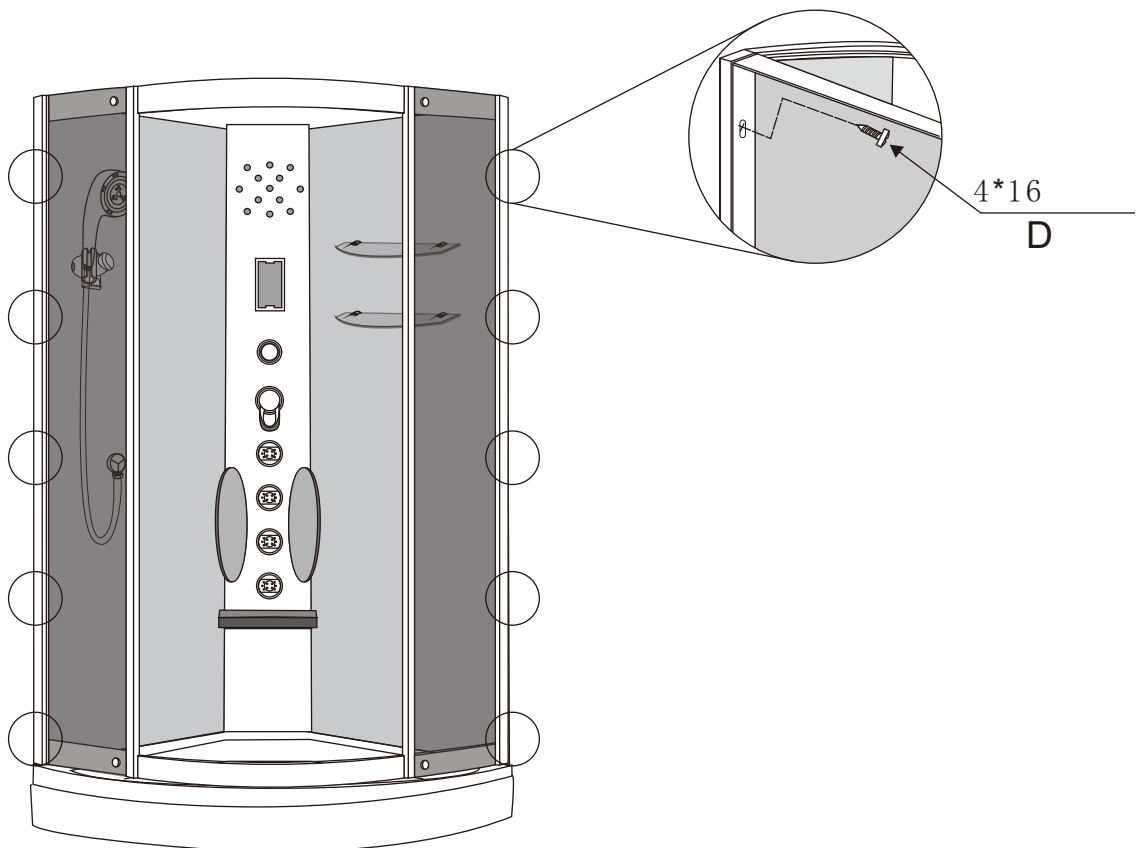
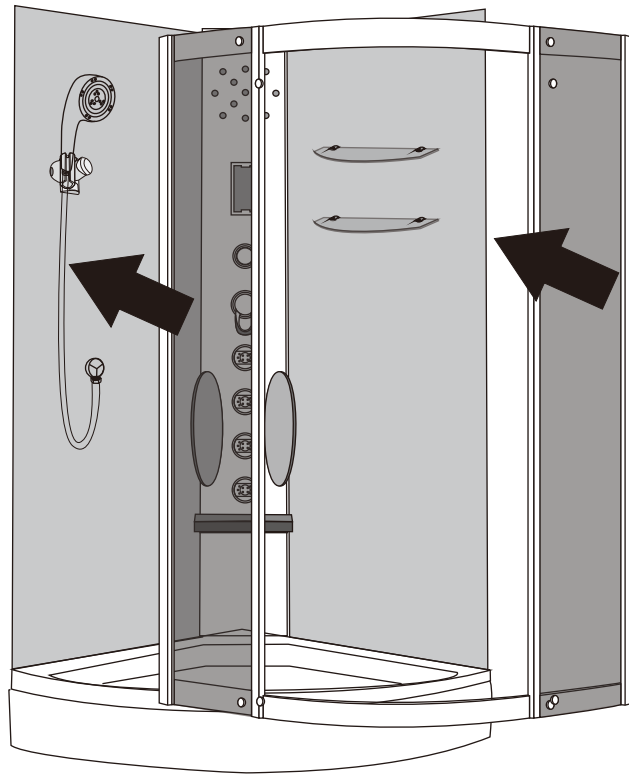
(3)



8418/8419

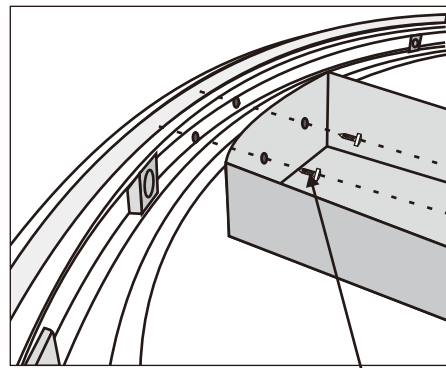
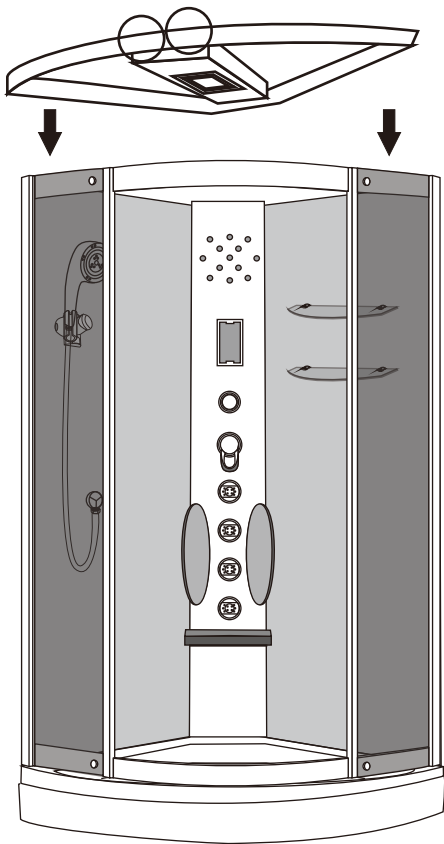
Installation instructions

5.

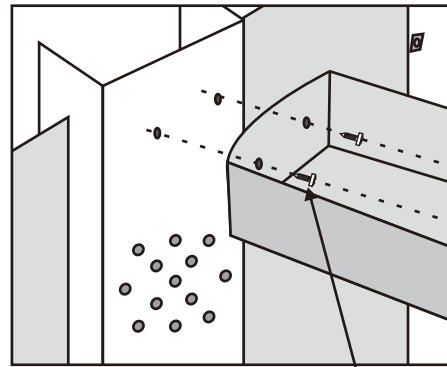


8418/8419

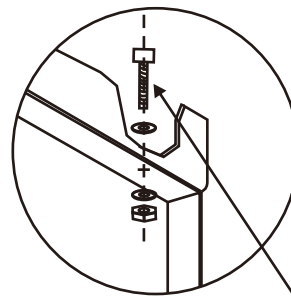
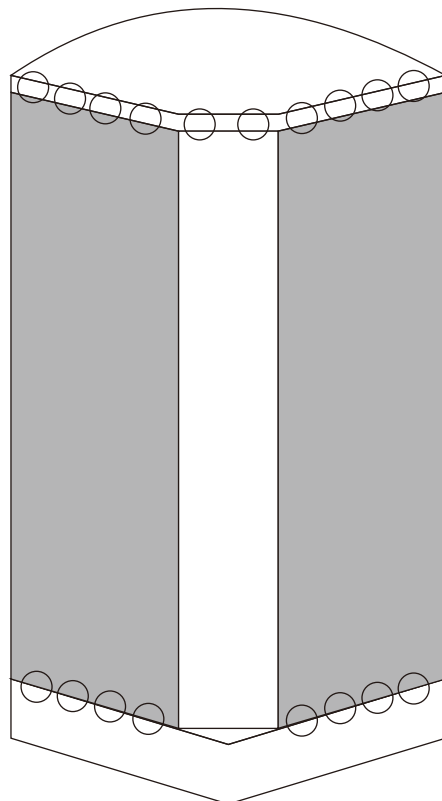
Installation instructions



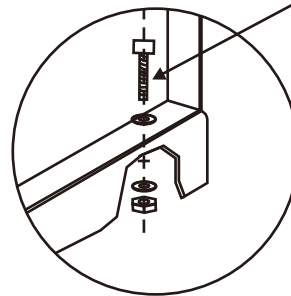
4*10mm



4*10mm



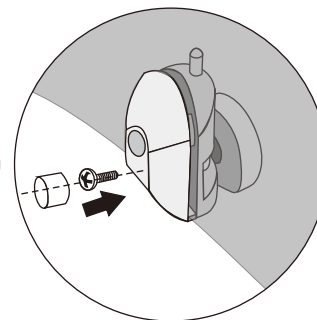
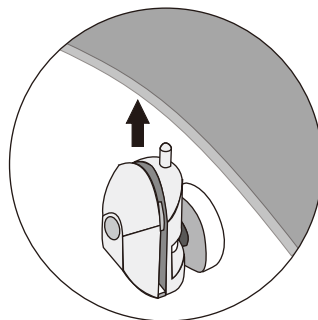
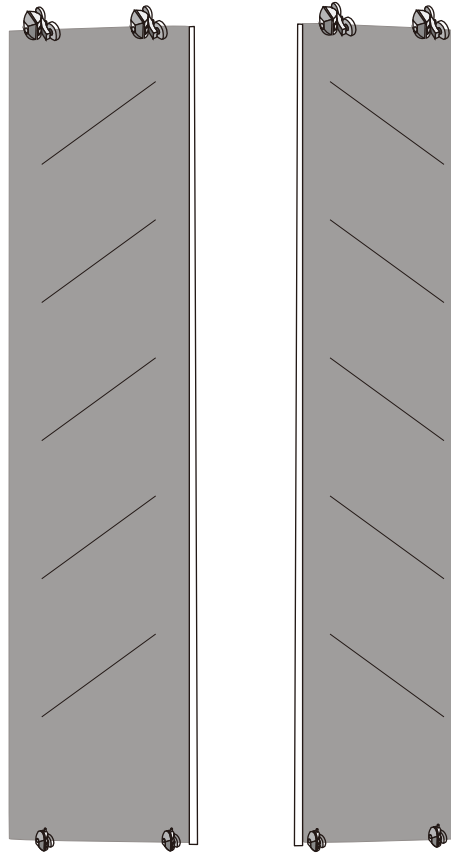
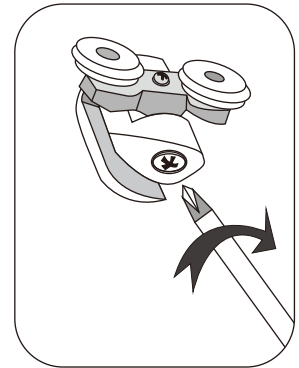
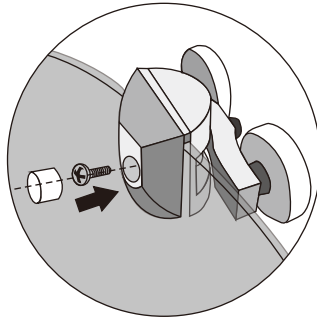
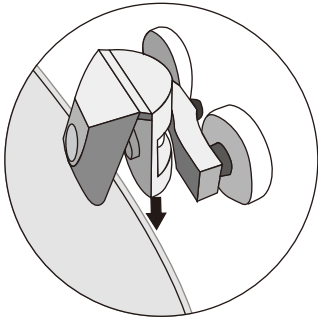
4*16mm



8418/8419

Installation instructions

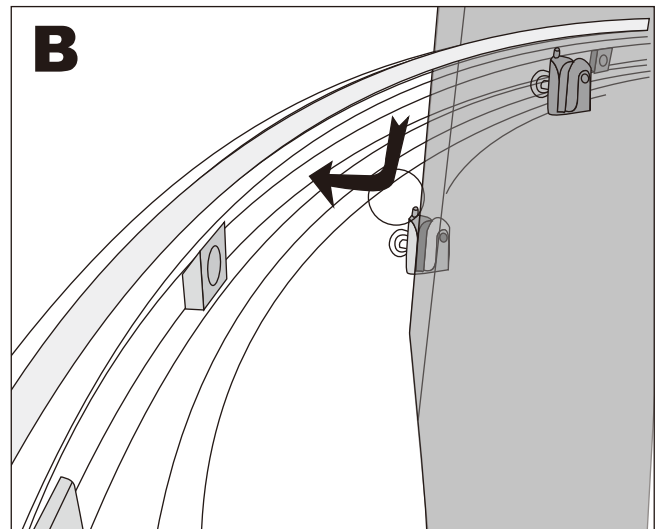
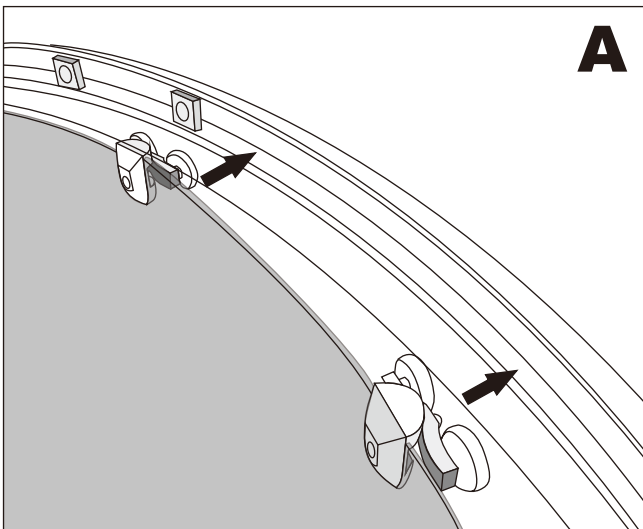
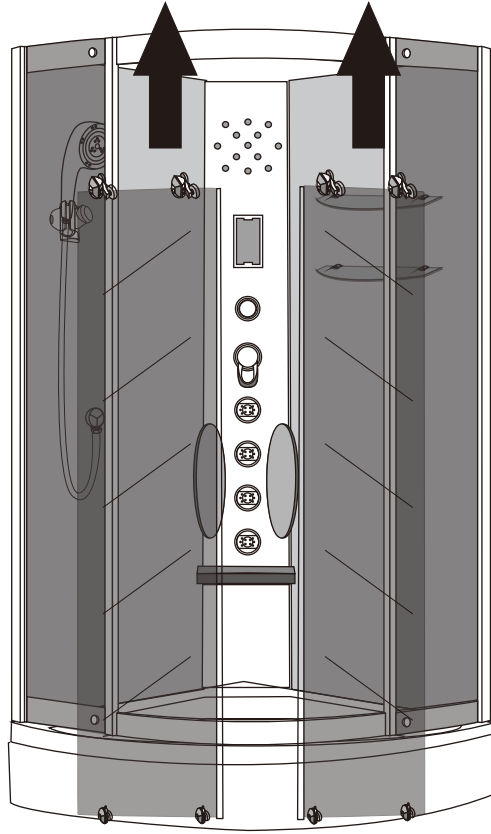
6.



8418/8419

Installation instructions

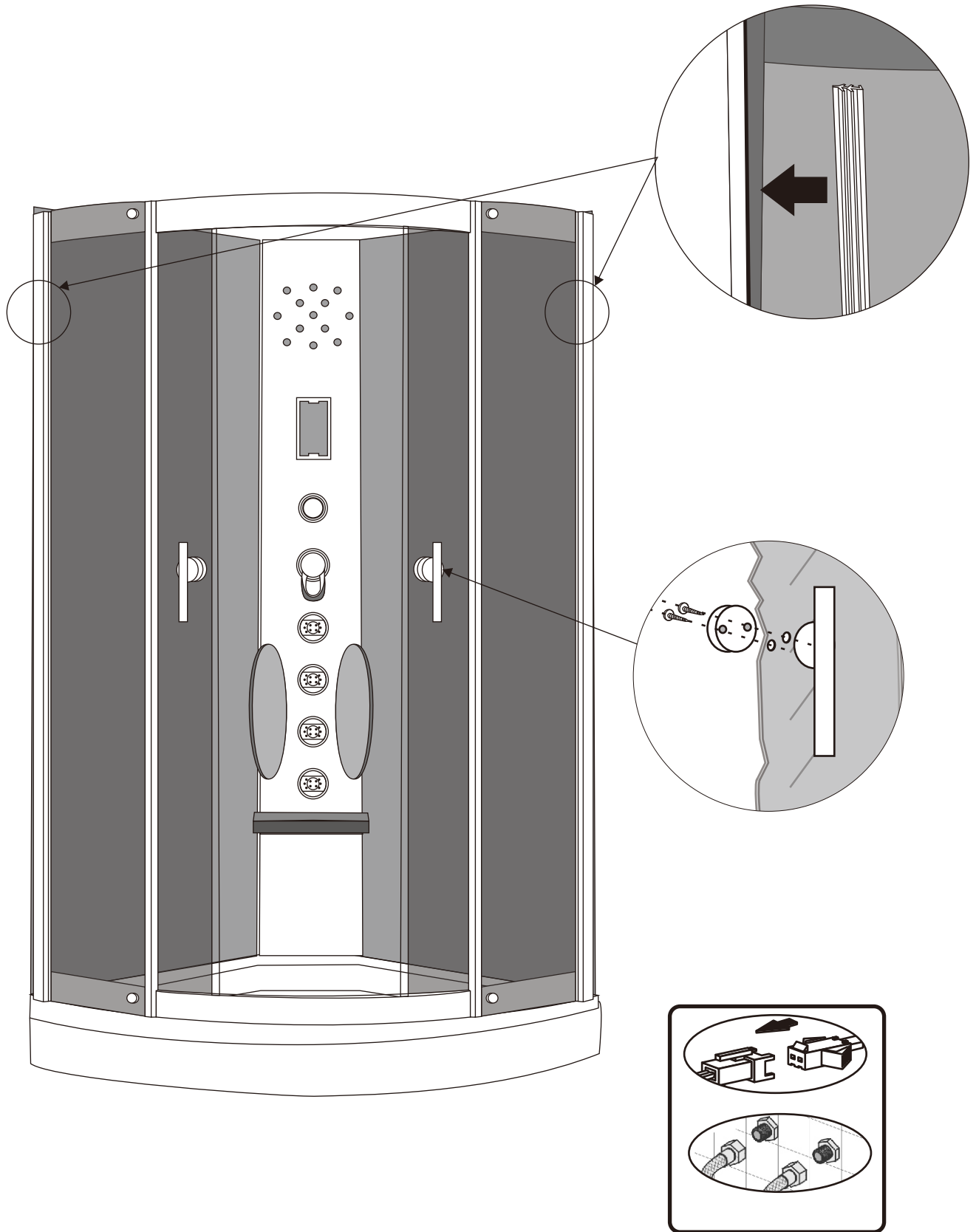
7.



8418/8419

Installation instructions

8.



connect the electrical wire of bungalow, power and etc. correctly, connect the hose of head shower, hot water hose and cold water hose correctly, put the antenna to the top.

8418/8419

Installation instructions

